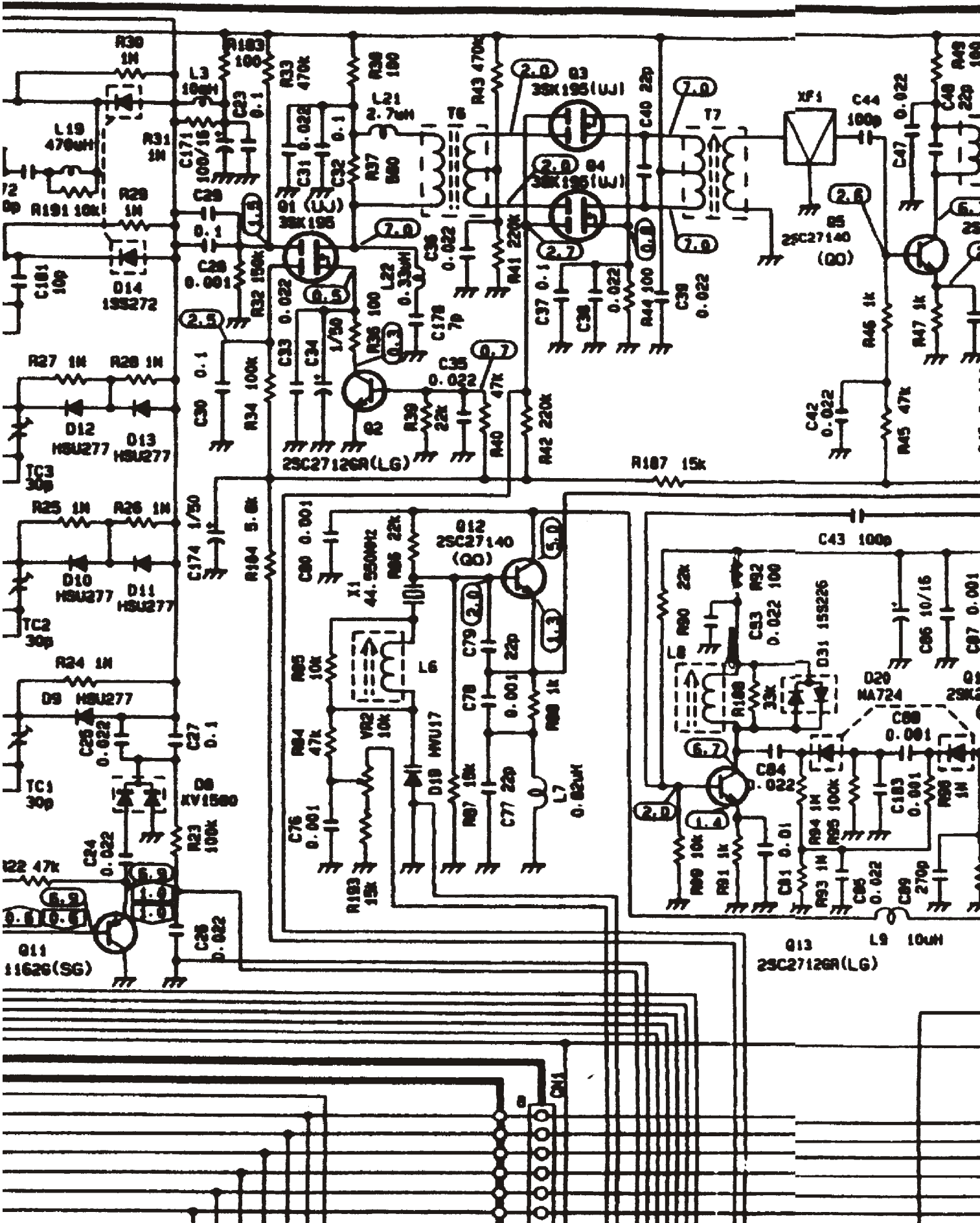




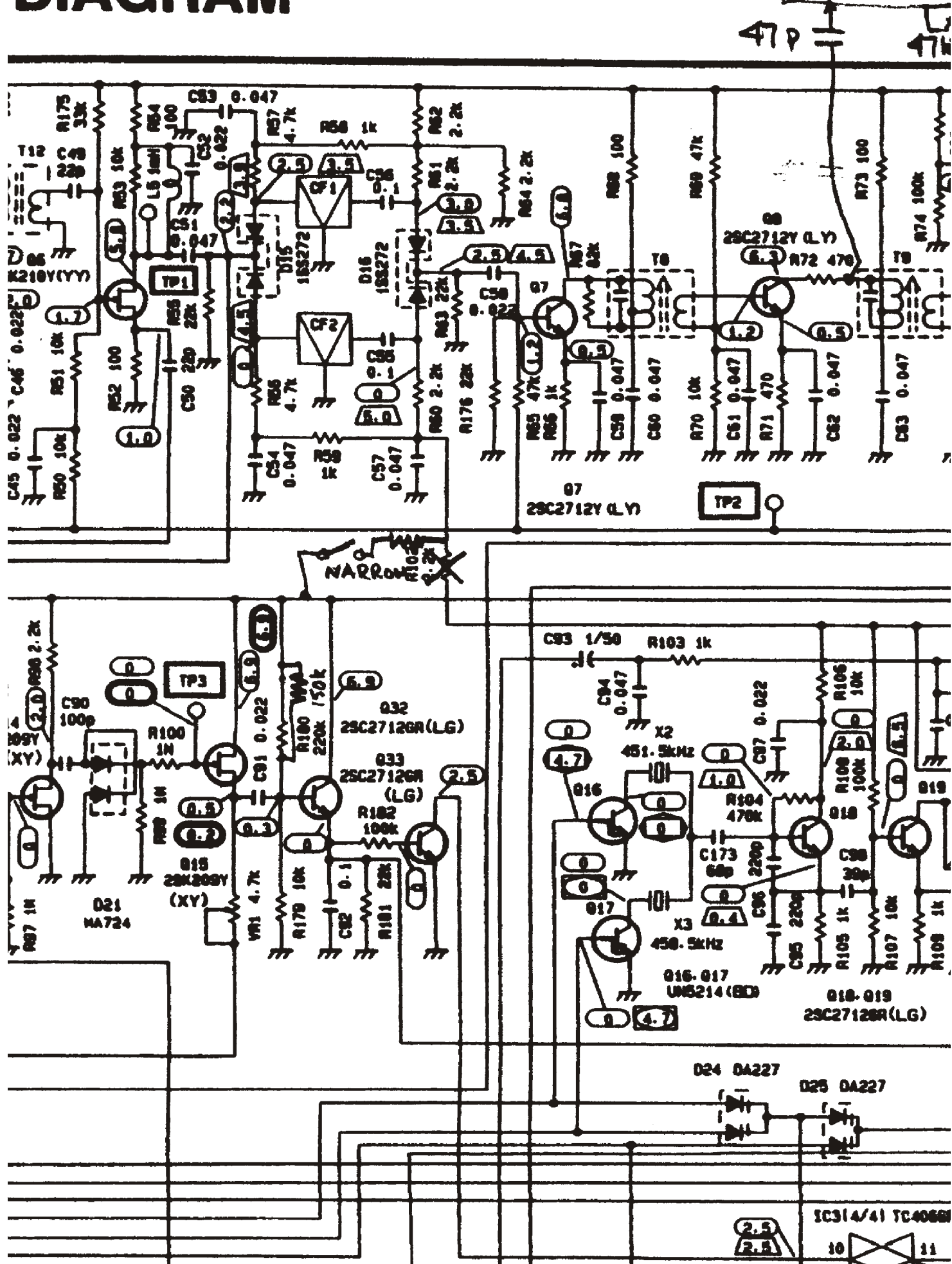
DX-394 Schematic

SCHEMATIC



DIAGRAM

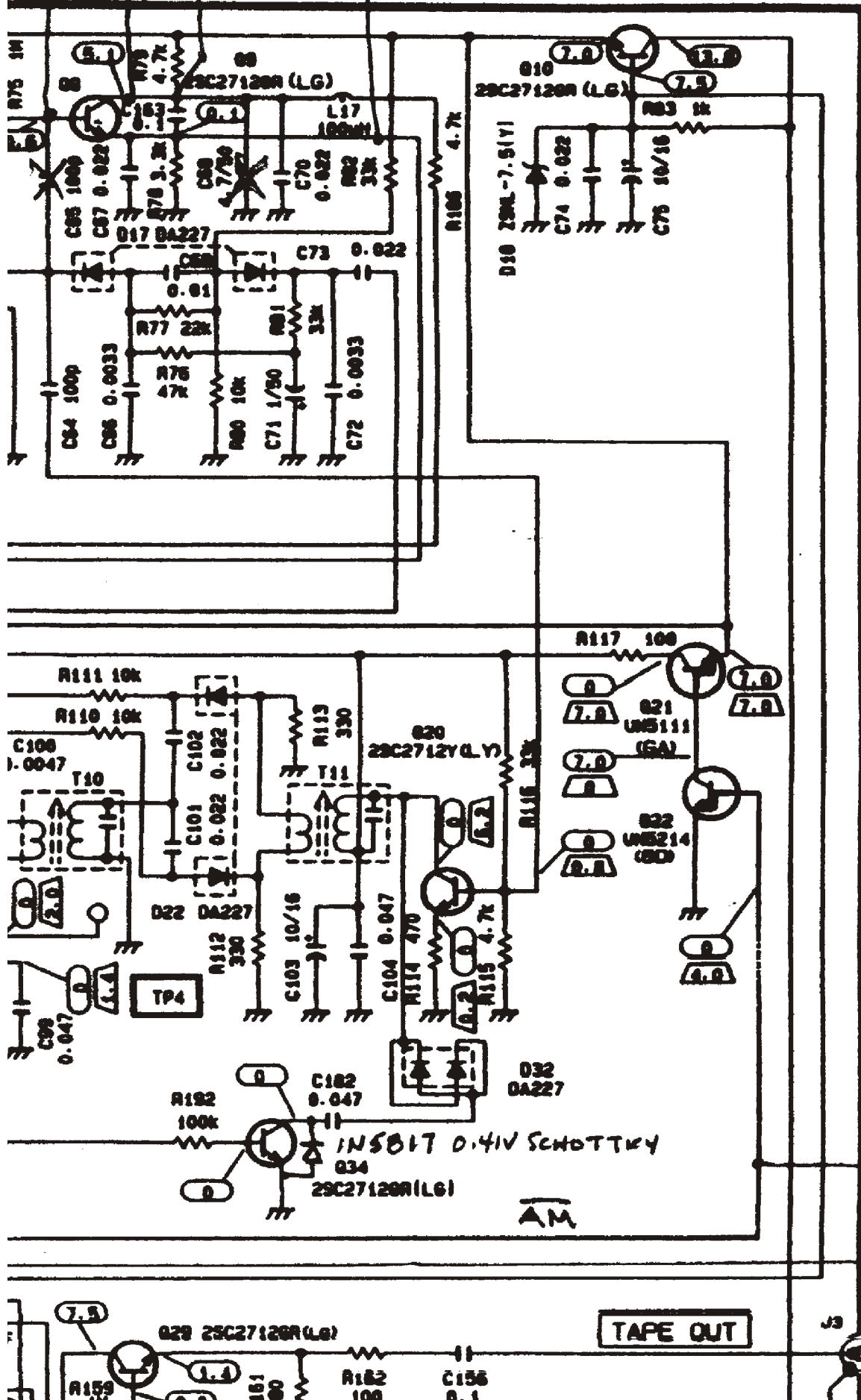
Kluger Board

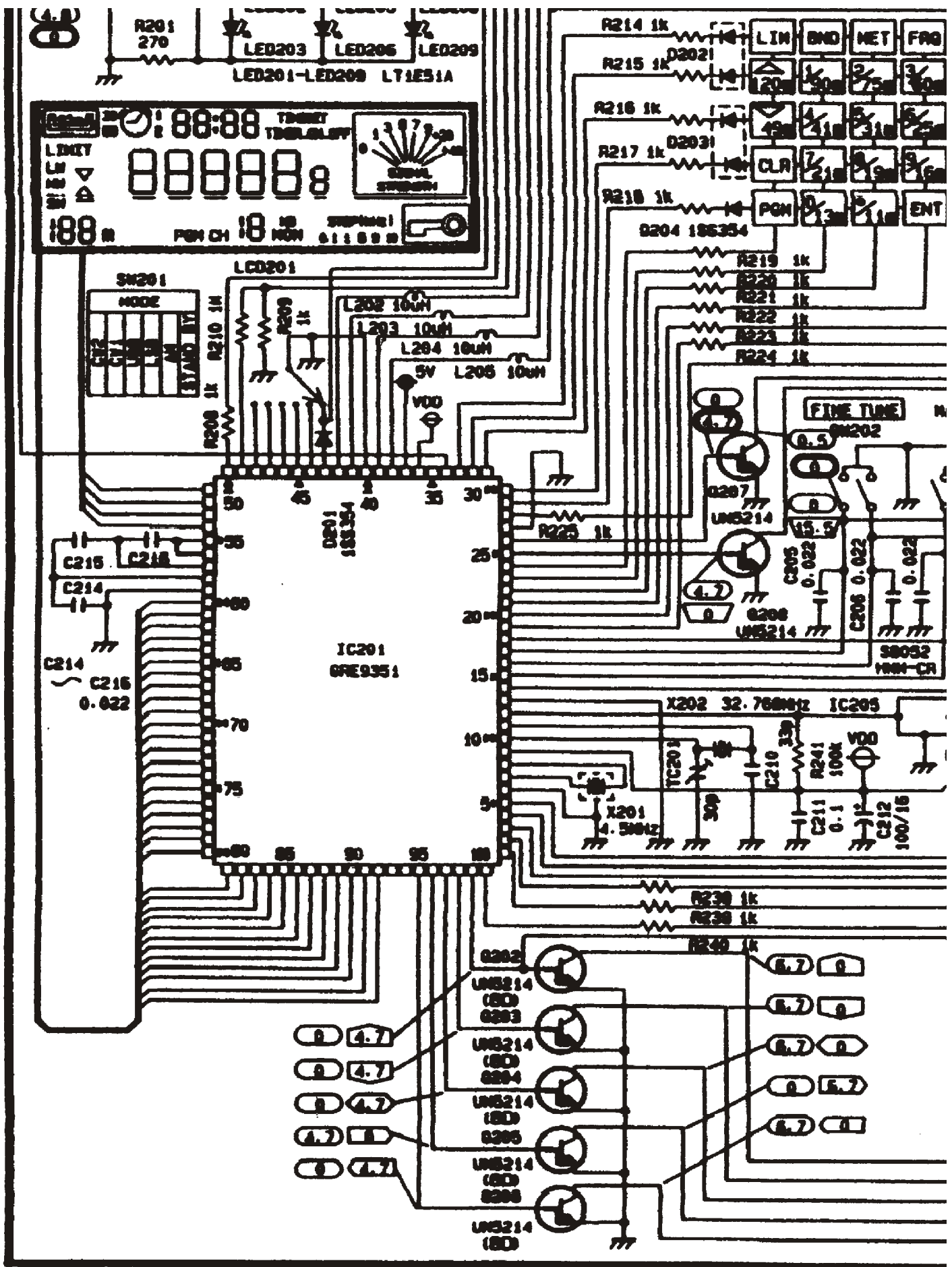


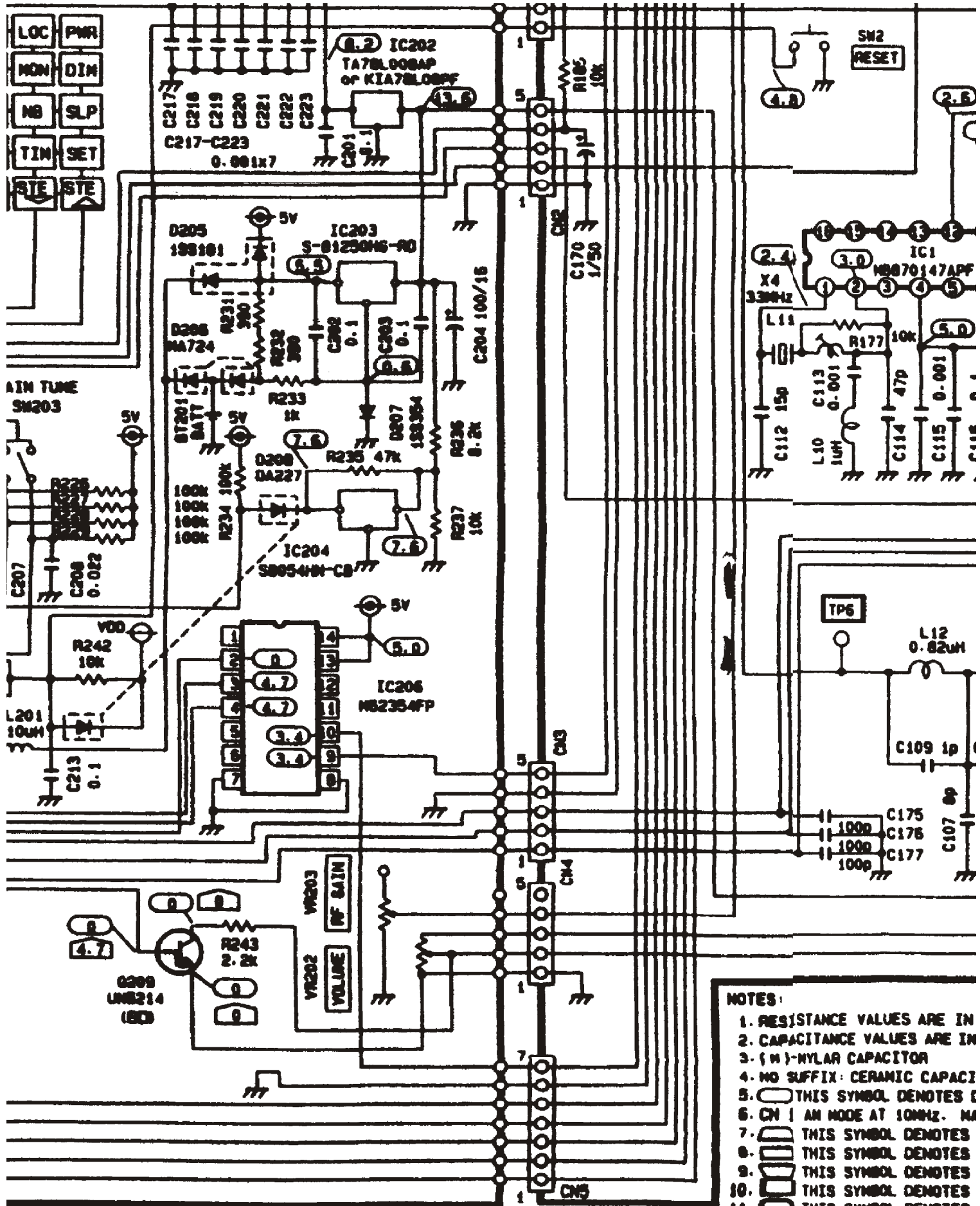
AGC

MED 47 μ F

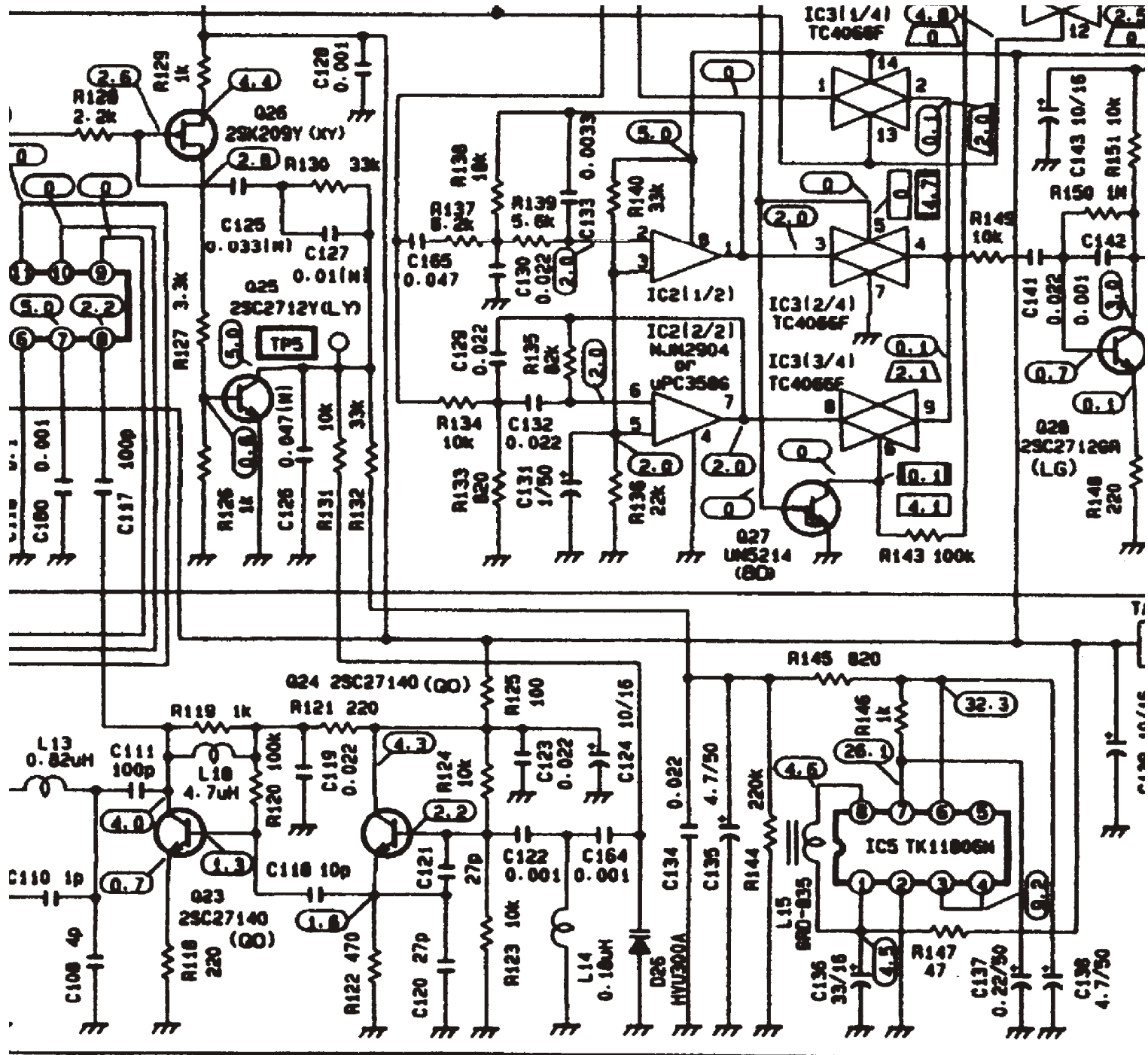
SLOW 220 μ F







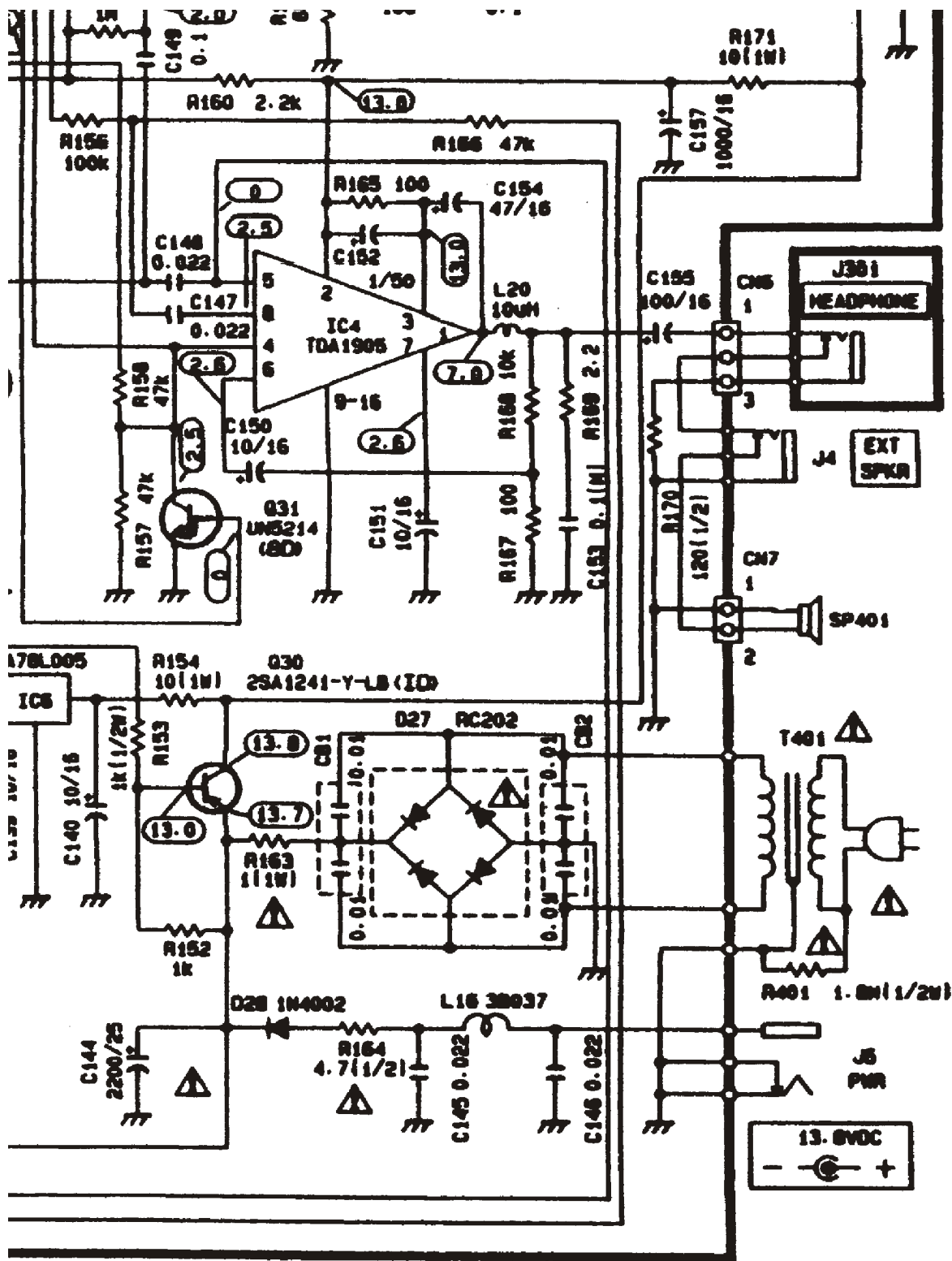
- NOTES:**
1. RESISTANCE VALUES ARE IN
 2. CAPACITANCE VALUES ARE IN
 3. (M)-MYLAR CAPACITOR
 4. NO SUFFIX: CERAMIC CAPACIT
 5. THIS SYMBOL DENOTES (
 6. CN | AM MODE AT 10MHz. MA
 7. THIS SYMBOL DENOTES
 8. THIS SYMBOL DENOTES
 9. THIS SYMBOL DENOTES
 10. THIS SYMBOL DENOTES
 11. THIS SYMBOL DENOTES



OHMS (K-KILO OHM M-MEG OHM)
 pF (P-PICO FARAD)

FOR
 AC VOLTAGE WITH DC VOLTMETER (100kΩ/V) UNDER FOLLOWING CONDITIONS.
 NORMAL OPERATION, VOLUME AT MINIMUM AND SQUELCH CCW
 VOLTAGES FOR LSB/USB/CW MODE OPERATION
 VOLTAGES FOR CW1 or CW2 MODE OPERATION
 VOLTAGES POWER OFF
 VOLTAGES FOR USB or LSB MODE OPERATION
 VOLTAGES FOR NOISE BLANKER ON

- 12. THIS SYMBOL DENOTES VOL
- 13. THIS SYMBOL DENOTES VOL
- 14. THIS SYMBOL DENOTES VOL
- 15. THIS SYMBOL DENOTES VOL
- 16. THIS SYMBOL DENOTES VOL
- 17. THIS SYMBOL DENOTES VOL
- 18. THIS SYMBOL DENOTES VOL
- 19. RATING OR TYPE NUMBER OF COIL
 SUBJECT TO CHANGE FOR IMPROV



TAGES FOR LW MODE OPEARITION
 TAGES FOR MW MODE OPEARITION
 TAGES FOR SW MODE AT 200KHz OPEARITION
 TAGES FOR SW MODE AT 1000KHz OPEARITION
 TAGES FOR SW MODE AT 1500KHz OPEARITION
 TAGES FOR LSB/CW1 MODE OPEARITION
 TAGES FOR USB/CW2 MODE OPEARITION
 COMPONENT PARTS ARE
 AVAILABLE WITHOUT NOTICE